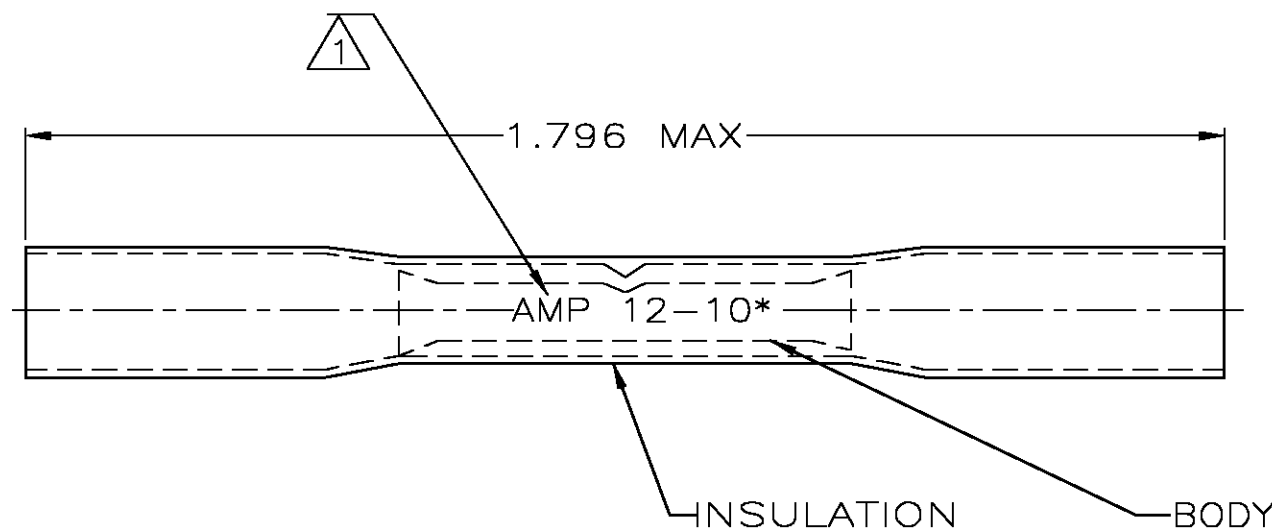


THIS DRAWING IS UNPUBLISHED. RELEASED FOR PUBLICATION ,19 .  
 © COPYRIGHT 19 BY AMP INCORPORATED. ALL INTERNATIONAL RIGHTS RESERVED.

LOC	DIST	P	F	ZONE	LTR	DESCRIPTION	DATE	APPD
G	14				C	REV PER 0G3A-0001-03	06JAN03	JR TM

<b>AMP</b> WIRE RANGE	Listed	Certified
12-10 AWG STRADED	12-10 AWG STRADED	12-10 AWG STRADED



NOTES:

- 1 STAMP AMP 12-10\* APPROX AS SHOWN
- 2 WIRE INSULATION IS .240 MAX DIA.
- 3 TAPED PART LONG, CRIMP ONLY IN TEPETRONICS.
- 4 NO UL APPROVAL & NO CSA APPROVAL.
- 5 PRELIMINARY - NO FOR PRODUCTION

1500	ON TAPE, REEL	3 4 2-55826-1 5
25	LOOSE PIECE	8-55826-3
500	LOOSE PIECE	55826-1
QTY	PACKAGE TYPE	PART NO
DR 6/93 S S GOULDEN	<b>AMP</b> AMP Incorporated Harrisburg, PA 17105-3608	
CHK 6/93 R HERSEY	NAME SPLICE, SEALABLE HEAT SHRINKABLE	
APPD 6/93 B BARE	SIZE B	CAGE CODE 00779
APPD 6/93 M ELLIS	DRAWING NO C-55826	
PRODUCT SPEC -	SCALE NTS	SHEET 1 OF 1
APPLICATION SPEC -		
WEIGHT -		

<b>AMP INCORPORATED CUSTOMER SERVICE SYSTEMS</b>		MAX RECOMMENDED OPERATING TEMPERATURE: 125° C MAX
FOR ADDITIONAL PRODUCT INFORMATION OR COPIES OF DRAWINGS AND TECHNICAL DOCUMENTS	PRODUCT INFORMATION CENTER 1-800-522-6752	VOLTAGE RATING: 600V MAX (BUILDING WIRING) 1000V MAX (FIXTURES & SIGNS)
FOR APPLICATION TOOLING INFORMATION	TOOLING ASSISTANCE CENTER 1-800-722-1111	CIRCULAR MIL AREA: 2.62-6.64mm <sup>2</sup> [5180-13100] STRADED
FOR ORDER ENTRY	1-800-526-5142	EDP TIN PLATED
THIS DRAWING IS A CONTROLLED DOCUMENT FOR AMP INCORPORATED. IT IS SUBJECT TO CHANGE AND THE CONTROLLING ENGINEERING ORGANIZATION SHOULD BE CONTACTED FOR THE LATEST REVISION.		